

## F-A3384-000 Air Filter Assembly

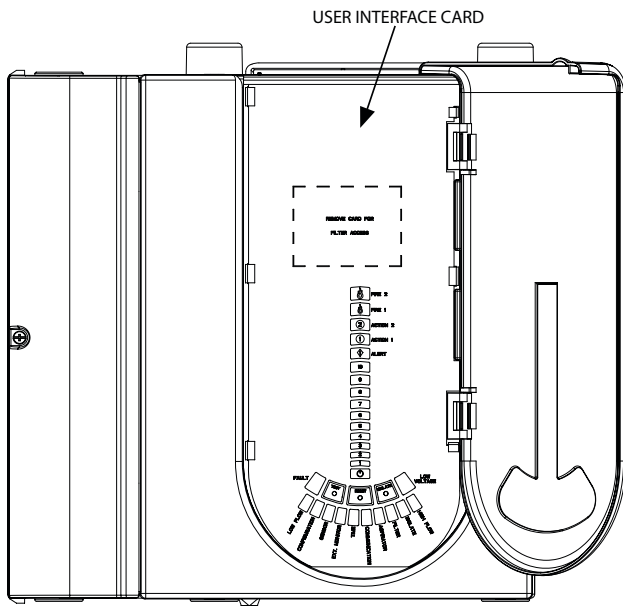
### GENERAL DESCRIPTION

The F-A3384-000 replacement air filter for the FFAST™ 8100 series aspiration detectors comes fully assembled and ready to use. It is a 30 micron filter designed specifically for use with the FFAST system.

### FILTER ASSEMBLY REPLACEMENT

The filter is located behind the Display Door under the User Interface Card, as shown in Figure 1.

**FIGURE 1. FRONT VIEW OF DETECTOR WITH DISPLAY DOOR OPEN AND USER INTERFACE CARD IN PLACE:**



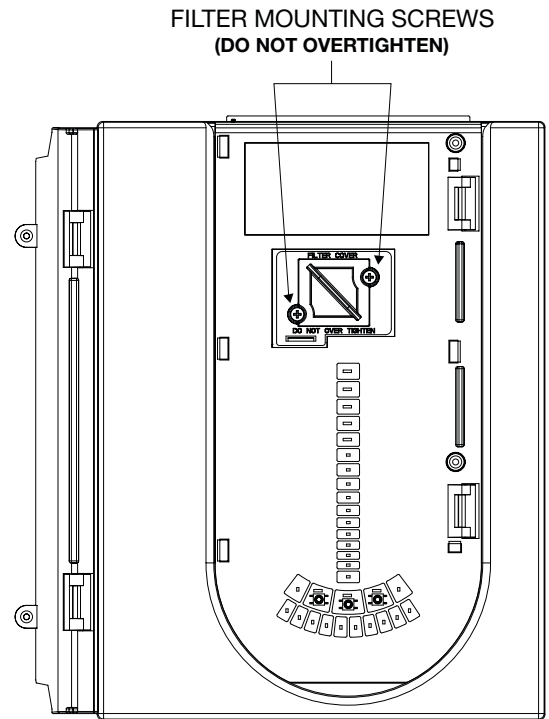
ASP-82

To replace the filter perform the procedure in Table 1.

**TABLE 1. FILTER REPLACEMENT PROCEDURE**

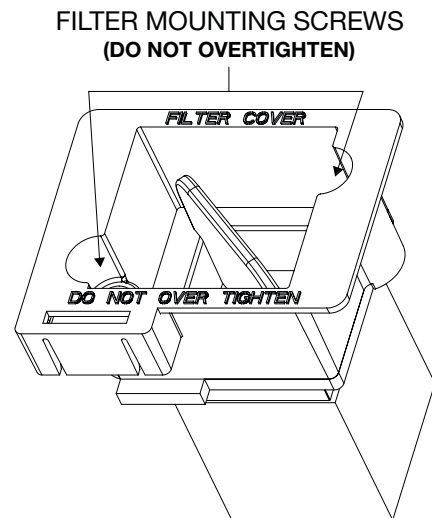
STEP	ACTION
1	Before performing maintenance, notify the proper authorities that the system is undergoing maintenance, and will temporarily be out of service. Disable the system to prevent unwanted alarms.
2	Turn off the system by removing the 24 Volt power connector from the unit or by unplugging the converter from its power outlet.  NOTE: If power is not removed, the unit automatically enters Service Mode when the screws are removed from the filter. This removes power from the fan and the sensing chamber. In addition, the filter fault indicator is illuminated and the urgent relay is set.
3	Open the Display Door, as shown in Figure 1, and remove the User Interface card in front of the filter.
4	Remove the two Philips head screws securing the filter to the unit, as shown in Figure 2.
5	Replace the entire filter assembly, as shown in Figure 3, with a new unit by pulling the old filter out and sliding a new filter assembly back into position.
6	Torque the two Philips head screws to 6in-lb (0.7N-m) or ¼ turn past "lightly snug". <b>DO NOT OVER TIGHTEN.</b>
7	Carefully reinstall the User Interface card.

**FIGURE 2. FILTER MOUNTING SCREWS WITH USER INTERFACE CARD REMOVED:**



ASP91-01

**FIGURE 3. REMOVABLE AIR FILTER ASSEMBLY:**



ASP90-01